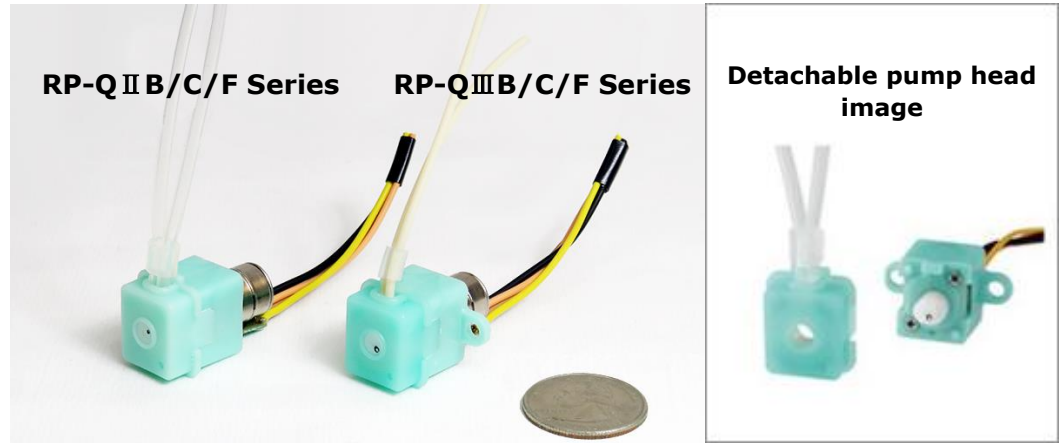


MINIATURE PERISTALTIC PUMP

RP-Q II / RP-Q III Series (Stepper Motor)



Fingertop Size Peristaltic Pump

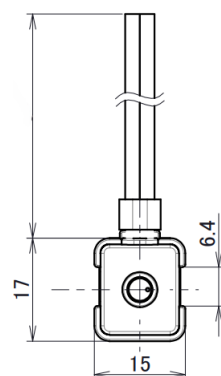
Features

- Compact dimensions
- Stepper motor type with 5 different discharge rate. Range of minimum 0.06  $\mu$ L/min to maximum 2.6 mL/min depending on the pump option.
- Tubing options of Silicone or PharMed®BPT
- Detachable / replaceable pump head ※
- Pump head may be sterilized.
- Suitable for analytical instruments, medical devices, fuel cells, drug delivery systems, regenerative medicine (cell culturing), etc.

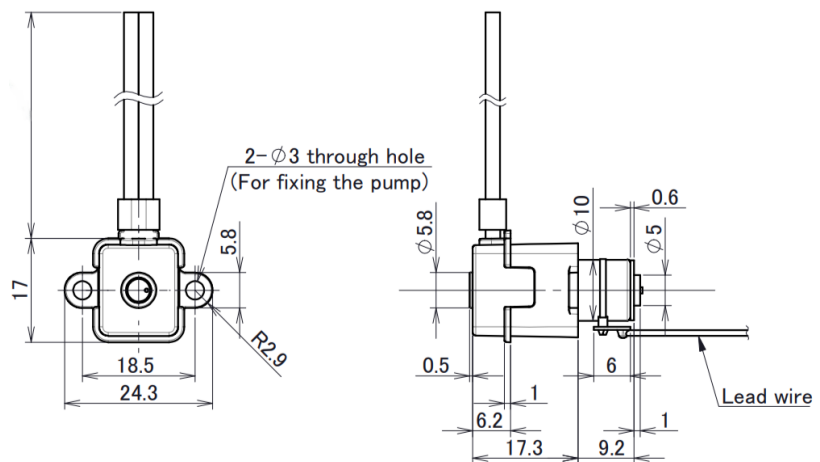
※Silicone tubing: Autoclavable one time at 121°C for 25 minutes./Gamma ray sterilization with 25 kGy.  
 PharMed®BPT tubing: Gamma ray sterilization with 25 kGy. (not autoclavable.)

Dimensions

RP-QIIB/QIIC/QIIF



RP-QIIIB/QIIIC/QIIIF



Note: This is a product from Aquatech Co., Ltd.



TFS (Takasago Fluidic Systems)

1900 West Park Drive, Suite 280, Westborough, MA 01581 U.S.A.  
 TEL: +1-508-983-1434 E-mail: info@takasago-fluidics.com  
 URL: https://www.takasago-fluidics.com/

# Specifications

## Discharge rate 0.06~60 $\mu\text{L}/\text{min}$ ※1

Model Number	Tubing			Wire length/ Connector※2	Model No. of Pump Head	Compatible Controllers
	Material	ID	OD			
RP-Q II BP5S-P06A-DC3VS RP-Q III BP5S-P06A-DC3VS	Silicone	0.5 mm	1.5 mm	50 cm/Without connector	RK-Q II P5S	RE-C200/C201, RE-C600(without connector)
RP-Q II BP5F-P06A-DC3VS RP-Q III BP5F-P06A-DC3VS	PharMed® BPT	0.5 mm	1.5 mm	50 cm/Without connector	RK-Q II P5F	RE-C200/C201, RE-C600(without connector)
RP-Q II BP5S-P06C-DC3VS RP-Q III BP5S-P06C-DC3VS	Silicone	0.5 mm	1.5 mm	50 cm/With connector	RK-Q II P5S	RE-C500/C501, RE-C600(with connector)
RP-Q II BP5F-P06C-DC3VS RP-Q III BP5F-P06C-DC3VS	PharMed® BPT	0.5 mm	1.5 mm	50 cm/With connector	RK-Q II P5F	RE-C500/C501, RE-C600(with connector)
RP-Q II BP5S-P06B-DC3VS RP-Q III BP5S-P06B-DC3VS	Silicone	0.5 mm	1.5 mm	2 m/With connector	RK-Q II P5S-A	RE-C500/C501, RE-C600(with connector)
RP-Q II BP5F-P06B-DC3VS RP-Q III BP5F-P06B-DC3VS	PharMed® BPT	0.5 mm	1.5 mm	2 m/With connector	RK-Q II P5F-A	RE-C500/C501, RE-C600(with connector)

## Discharge rate 0.18~180 $\mu\text{L}/\text{min}$ ※1

Model Number	Tubing			Wire length/ Connector※2	Model No. of Pump Head	Compatible Controllers
	Material	ID	OD			
RP-Q II CP5S-P18A-DC3VS RP-Q III CP5S-P18A-DC3VS	Silicone	0.5 mm	1.5 mm	50 cm/Without connector	RK-Q II P5S	RE-C200/C201, RE-C600(without connector)
RP-Q II CP5F-P18A-DC3VS RP-Q III CP5F-P18A-DC3VS	PharMed® BPT	0.5 mm	1.5 mm	50 cm/Without connector	RK-Q II P5F	RE-C200/C201, RE-C600(without connector)
RP-Q II CP5S-P18C-DC3VS RP-Q III CP5S-P18C-DC3VS	Silicone	0.5 mm	1.5 mm	50 cm/With connector	RK-Q II P5S	RE-C500/C501, RE-C600(with connector)
RP-Q II CP5F-P18C-DC3VS RP-Q III CP5F-P18C-DC3VS	PharMed® BPT	0.5 mm	1.5 mm	50 cm/With connector	RK-Q II P5F	RE-C500/C501, RE-C600(with connector)
RP-Q II CP5S-P18B-DC3VS RP-Q III CP5S-P18B-DC3VS	Silicone	0.5 mm	1.5 mm	2 m/With connector	RK-Q II P5S-A	RE-C500/C501, RE-C600(with connector)
RP-Q II CP5F-P18B-DC3VS RP-Q III CP5F-P18B-DC3VS	PharMed® BPT	0.5 mm	1.5 mm	2 m/With connector	RK-Q II P5F-A	RE-C500/C501, RE-C600(with connector)

## Discharge rate 0.35~350 $\mu\text{L}/\text{min}$ ※1

Model Number	Tubing			Wire length/ Connector※2	Model No. of Pump Head	Compatible Controllers
	Material	ID	OD			
RP-Q II B1.5S-P35A-DC3VS RP-Q III B1.5S-P35A-DC3VS	Silicone	1.5 mm	2.5 mm	50 cm/Without connector	RK-Q II 1.5S	RE-C200/C201, RE-C600(without connector)
RP-Q II B1.5S-P35C-DC3VS RP-Q III B1.5S-P35C-DC3VS	Silicone	1.5 mm	2.5 mm	50 cm/With connector	RK-Q II 1.5S	RE-C500/C501, RE-C600(with connector)
RP-Q II B1.5S-P35B-DC3VS RP-Q III B1.5S-P35B-DC3VS	Silicone	1.5 mm	2.5 mm	2 m/With connector	RK-Q II 1.5S-D	RE-C500/C501, RE-C600(with connector)

## Discharge rate 1.1~1,100 $\mu\text{L}/\text{min}$ ※1

Model Number	Tubing			Wire length/ Connector※2	Model No. of Pump Head	Compatible Controllers
	Material	ID	OD			
RP-Q II C1.5S-1P1A-DC3VS RP-Q III C1.5S-1P1A-DC3VS	Silicone	1.5 mm	2.5 mm	50 cm/Without connector	RK-Q II 1.5S	RE-C200/C201, RE-C600(without connector)
RP-Q II C1.5S-1P1C-DC3VS RP-Q III C1.5S-1P1C-DC3VS	Silicone	1.5 mm	2.5 mm	50 cm/With connector	RK-Q II 1.5S	RE-C500/C501, RE-C600(with connector)
RP-Q II C1.5S-1P1B-DC3VS RP-Q III C1.5S-1P1B-DC3VS	Silicone	1.5 mm	2.5 mm	2 m/With connector	RK-Q II 1.5S-D	RE-C500/C501, RE-C600(with connector)

## Discharge rate 2.6~2,600 $\mu\text{L}/\text{min}$ ※1

Model Number	Tubing			Wire length/ Connector	Model No. of Pump Head	Compatible Controllers
	Material	ID	OD			
RP-Q II F1.5S-2P6A-DC3.3VS RP-Q III F1.5S-2P6A-DC3.3VS	Silicone	1.5 mm	2.5 mm	50 cm/Without connector	RK-Q II 1.5S	RE-C602

※1 The discharge rate is the value when using the motor controller RE-C600/C602 and driving at 1 to 1,000 PPS.

※2 The pump with a connector is required for use with the motor controller RE-C500/C501. The pump without connectors can be used with RE-C200/C201/. RE-C600 can be used with or without connector.

※PharMed® is a trademark of Saint-Gobain Performance Plastics.

Note: Specifications etc. may be changed at any time without notice.