

# Ring Pump®

## S Series



### Features

- Biggest flow rate pump among our lineup.  
You can have double flow rate with RP-2S series which combines two RP-S.

### Examples of application

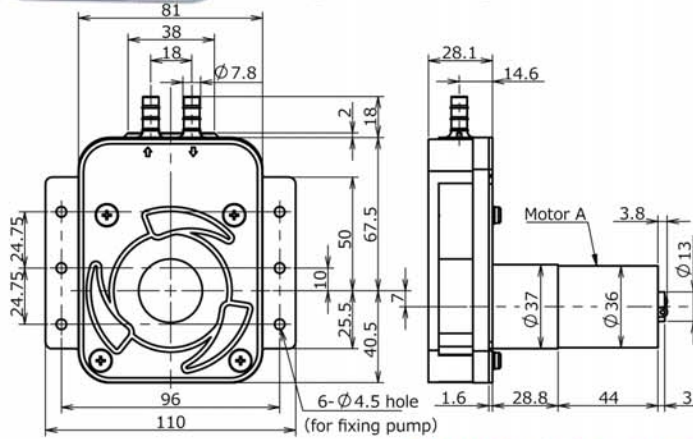
Automatic washing machine  
Automatic cup coffee vender  
Floor washer, Hand washer  
Applications for detergent supply etc.

### Main specifications

Flow rate (mL/min) ※	500 700 800
Tubing	Norprene/PharMed/TM-15
Motor/Power source	DC24V
Material of main parts	Base:NBR Cover:PP
Weight (for reference)	Approx. 650g

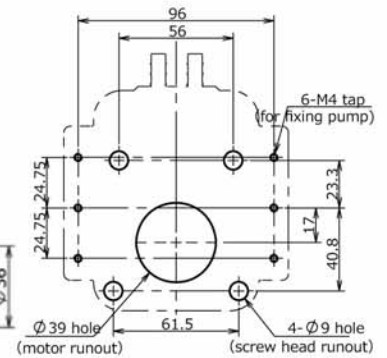
※ Flow rate is adjusted by selection of motor and inner diameter of tubing.

### [Outline view]



Flow direction (IN/OUT) is marked on the product.

### [Mounting plate view]

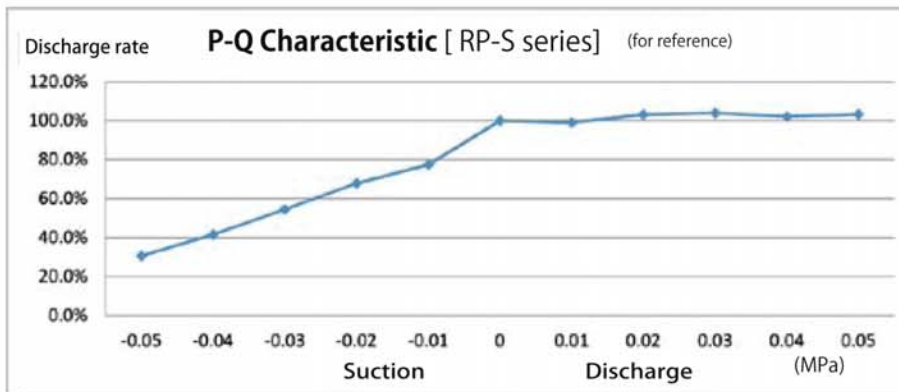


Be sure that the motor shaft position is horizontal.

### Model Lineup

Model Lineup	Voltage (DC/V)	Flow rate (mL)		Tubing		Remarks	
		/min	/rotation	Type	ID/OD (mm)	Motor	Motor Rotation
RP-S06N-500Z-DC24V	24	500	2.7	Norprene (N)	6.35x9.52	A	CW
RP-S06F-500Z-DC24V	24	500	2.7	PharMed (F)	6.35x9.52	A	CW
RP-S06W-500Z-DC24V	24	500	2.7	TM-15 (W)	6.35x9.52	A	CW
RP-S06N-700Z-DC24V	24	700	2.7	Norprene (N)	6.35x9.52	B	CW
RP-S06F-700Z-DC24V	24	700	2.7	PharMed (F)	6.35x9.52	B	CW
RP-S07W-800Z-DC24V	24	800	2.7	TM-15 (W)	7.0x10.0	B	CW

PharMed/Norprene: product of Saint-Gobain SA  
TM-15: product of Mitsubishi Co. Ltd.



※ Variable by material or ID of tubing.