

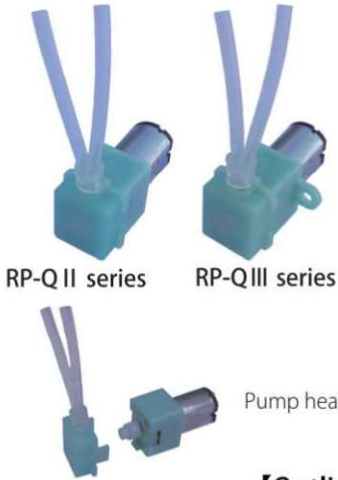
**New !!**

**Pump head is detachable!**

# Ring Pump®

## RP-Q II Series

## RP-Q III Series



### Features

- We have newly developed new series of RP-Q series, which has replaceable pump head that has been requested by many customers.
- RP-QIII series has mounting holes.
- Newly added RP-Q II A and RP-QIIIA achieved the highest flow rate as 3mL/min.

### Examples of application

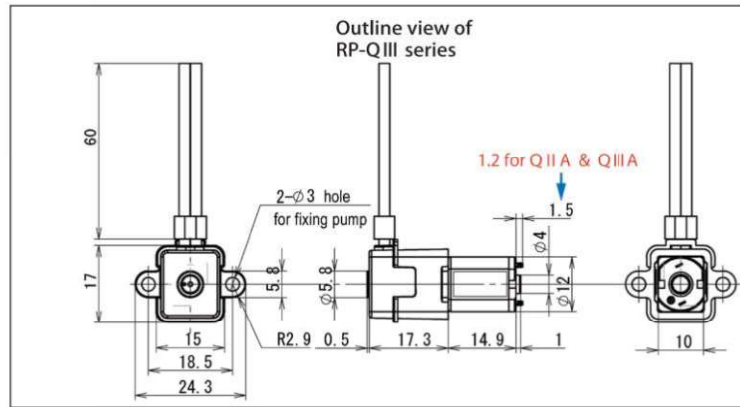
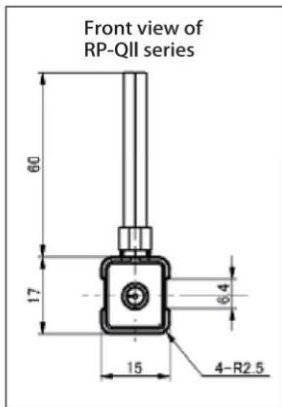
Analytical instruments, medical devices, fuel cell and many other usage where micro-fluidic control is needed.

### Main specifications

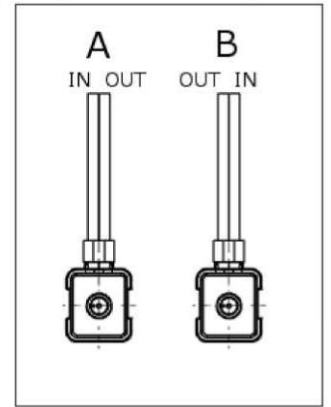
Flow rate (mL/min)	Q II : 0.9 0.45 Q II X: 2.2 1.2 Q II A : 3.0 (Same for Q III series)
Tubing	Silicone/SWFT
Motor/Power source	DC3V
Material of main parts	Case : PP
Weight (for reference)	Approx. 13g

Pump head is detached.

### [Outline view]



### [Flow direction]

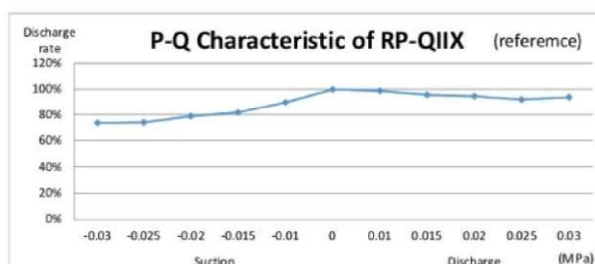


### Model Lineup

Model Lineup	Voltage (DC/V)	Flow rate (mL/min)	Tubing		Remarks	
			Type	ID/OD (mm)	Motor Rotation	Flow Direction
RP-Q II 1.5S-P90Z-DC3V	3	0.90	Silicone (S)	1.5 X 2.5	CCW	A
RP-Q II 1.2C-P45Z-DC3V	3	0.45	SWFT (C)	1.2 X 2.5		
RP-Q II X1.5S-2P2Z-DC3V	3	2.20	Silicone (S)	1.5 X 2.5	CW	B
RP-Q II X1.2C-1P2Z-DC3V	3	1.20	SWFT (C)	1.2 X 2.5		
RP-Q III 1.5S-P90Z-DC3V	3	0.90	Silicone (S)	1.5 X 2.5	CCW	A
RP-Q III 1.2C-P45Z-DC3V	3	0.45	SWFT (C)	1.2 X 2.5		
RP-Q III X1.5S-2P2Z-DC3V	3	2.20	Silicone (S)	1.5 X 2.5	CW	B
RP-Q III X1.2C-1P2Z-DC3V	3	1.20	SWFT (C)	1.2 X 2.5		
RP-Q II A1.5S-3Z-DC3V	3	3.00	Silicone (S)	1.5 X 2.5	CW	B
RP-Q III A1.5S-3Z-DC3V	3	3.00	Silicone (S)	1.5 X 2.5		

**New** ▶▶

SWFT: product of Saint-Gobain SA



※ Variable by material or ID of tubing.

	Suction					Discharge					
Mpa	-0.03	-0.025	-0.02	-0.015	-0.01	0	0.01	0.015	0.02	0.025	0.03
Discharge rate	73%	74%	79%	82%	90%	100%	99%	96%	95%	92%	94%