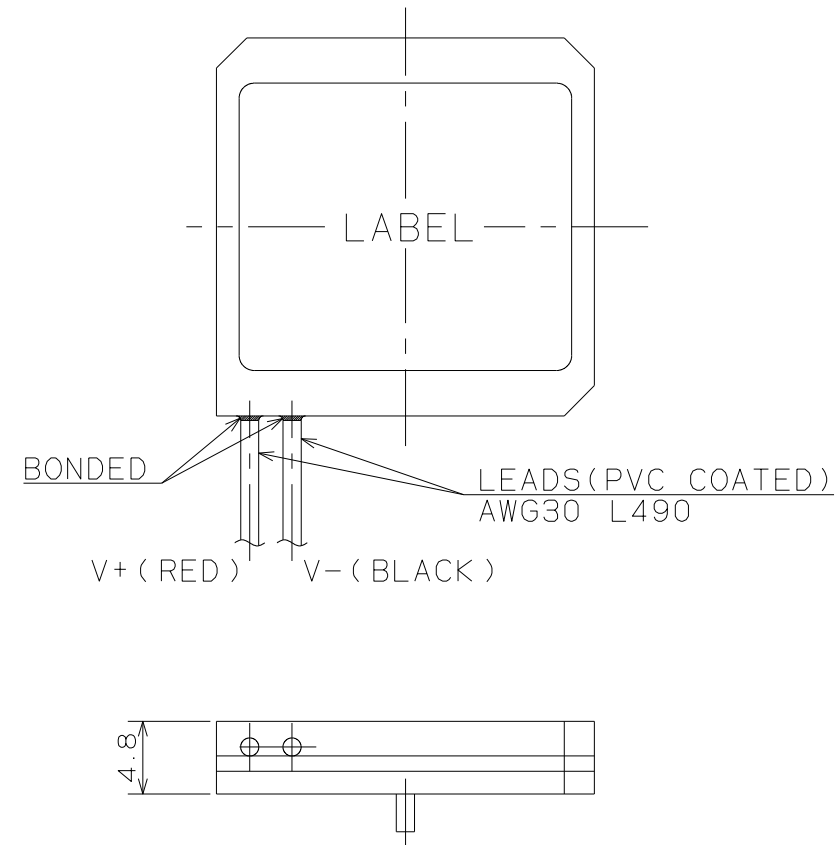


FOR REFERENCE ONLY

# PIEZOELECTRIC MICRO PUMP

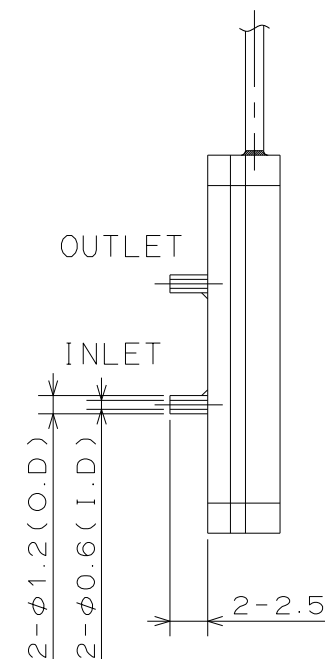
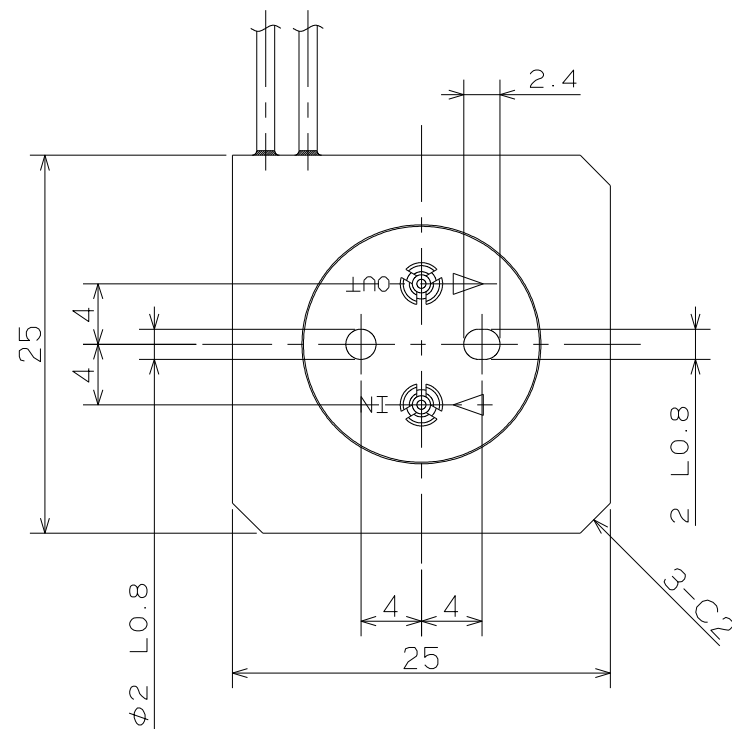
## SPECIFICATIONS for MODEL SDMP302



- MAXIMUM FLOW RATE : 3ml/min(Typ.)  
(DISCHARGE/SUCTION LOAD PRESSURE=0kPa)
- MAXIMUM PUMP PRESSURE : 40kPa(typ.)(FLOW RATE=0ml/min)
- SUCTION LOAD PRESSURE : -1.0kPa(Typ.)
- PORT CONNECTION : HOSE BARB
- FLUID MEDIA : FLUIDS CHEMICALLY COMPATIBLE WITH MATERIALS BELOW
- MEDIA TEMPERATURE RANGE : 5 ~ 50°C
- AMBIENT TEMPERATURE RANGE : 5 ~ 50°C
- STORAGE TEMPERATURE RANGE : 0 ~ 55°C
- DRIVE METHOD : PIEZOELECTRIC ELEMENT
- DRIVE VOLTAGE : 60 ~ 250Vp-p(SINE OR TAKASAGO STANDARD WAVE FORM)
- DRIVE FREQUENCY : 10 ~ 60Hz
- POWER CONSUMPTION : 20mW(REFERENCE, STANDARD DRIVE CONDITION  
DRIVE FREQUENCY:40Hz)  
29mW(REFERENCE, STANDARD DRIVE CONDITION  
DRIVE FREQUENCY:60Hz)

THE ABOVE SPECIFICATIONS ARE BASED ON THE FOLLOWING CONDITIONS

- STANDARD DRIVE CONDITION : AMBIENT AND FLUID TEMPERATURE:25°C  
FLUID MEDIA:PURE WATER  
DRIVE VOLTAGE:250Vp-p(SINE WAVE)  
DRIVE FREQUENCY:40Hz



### WETTED MATERIALS

ELASTOMER DIAPHRAGM	EPDM	2	
PLASTICS DIAPHRAGM	COC	1	
DOWN SIDE PUMPHOUSING	COC	1	
UP SIDE PUMPHOUSING	COC	1	
PART NAME	MATERIAL	REQD.	NOTE
PIEZOELECTRIC MICRO PUMP SDMP302			