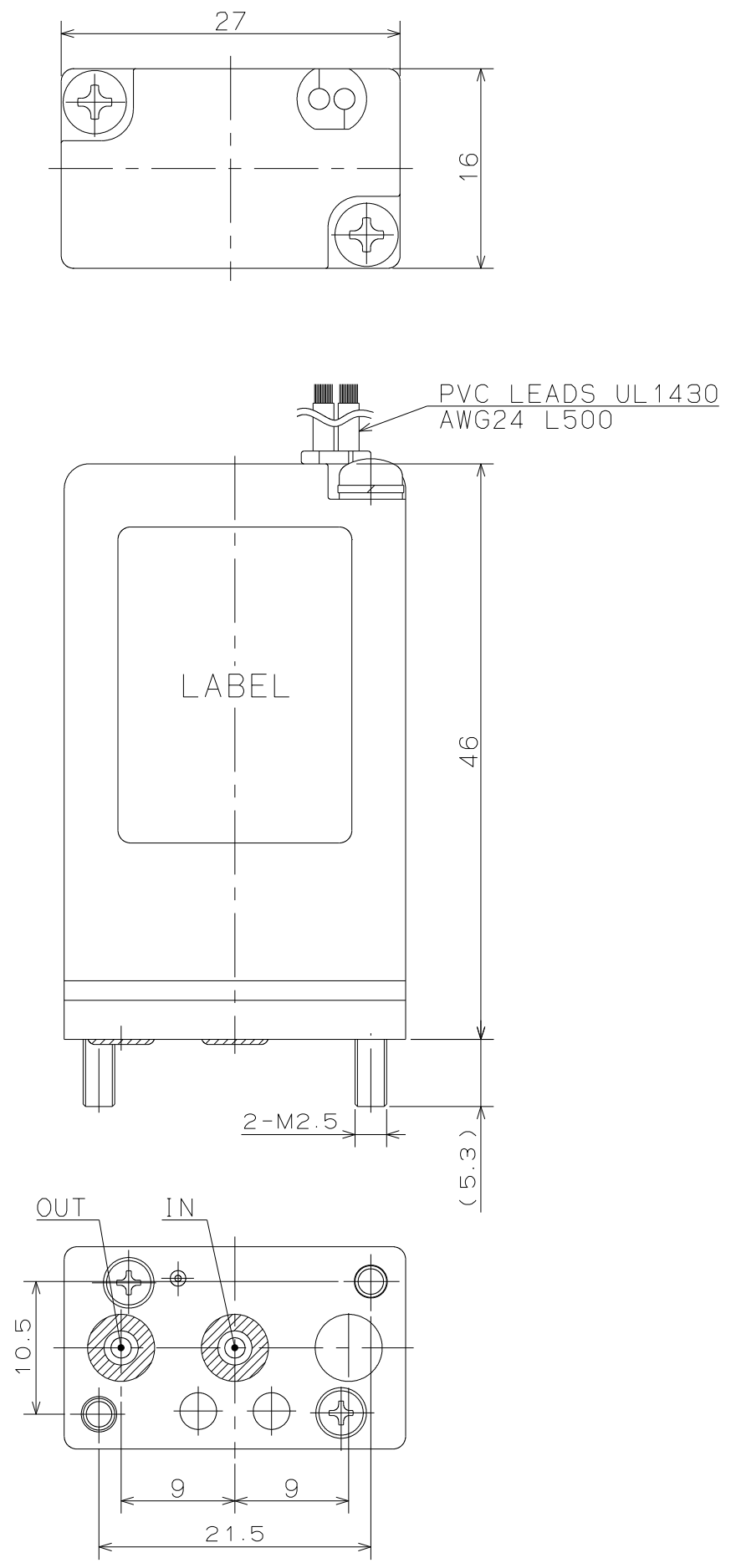


FOR REFERENCE ONLY

# SOLENOID VALVE

SPECIFICATIONS for MODEL RVA-2X-MFXA



- TYPE : 2-WAY NC
- ORIFICE DIAMETER : 1.6mm
- PORT CONNECTION : GASKET
- OPERATING PRESSURE RANGE : -95 ~ 200kPa  
(-712mmHg ~ 2bar)
- FLUID MEDIA : FLUIDS CHEMICALLY COMPATIBLE WITH MATERIALS BELOW
- MEDIA TEMPERATURE RANGE : 0 ~ 60°C (DAIEL PERFLUOR: 5 ~ 60°C)
- AMBIENT TEMPERATURE RANGE : 0 ~ 55°C (DAIEL PERFLUOR: 5 ~ 55°C)
- RATED VOLTAGE : 12VDC, 24VDC
- POWER CONSUMPTION : 3.4W
- DUTY CYCLE : CONTINUOUS
- COIL TEMPERATURE INCREASE : MAX. 70°C FROM ROOM TEMPERATURE
- INSULATION CLASS : CLASS B
- DIELECTRIC STRENGTH : 1500VAC FOR 60s

NOTE

RVA-2X-MFXA

BODY MATERIAL		DIAPHRAGM MATERIAL	
K	PEEK	E	EPDM
R	PPS	F	FPM
		G	DAIEL PERFLUOR

WETTED MATERIALS

PART NAME	MATERIAL	REQD.	NOTE
DIAPHRAGM	EPDM/FPM/DAIEL PERFLUOR	1	
VALVE BODY	PEEK/PPS	1	
GASKET	EPDM/FPM/DAIEL PERFLUOR	2	

SOLENOID VALVE  
RVA-2X-MFXA